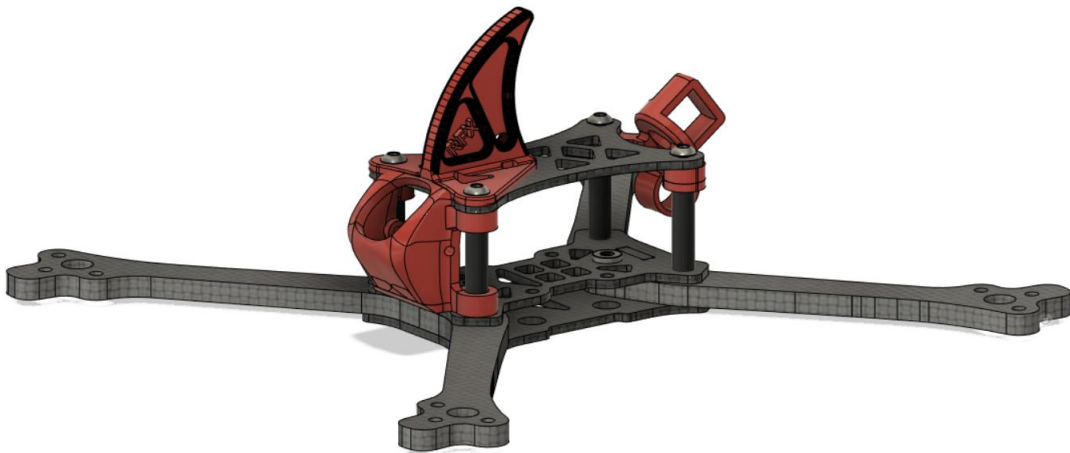
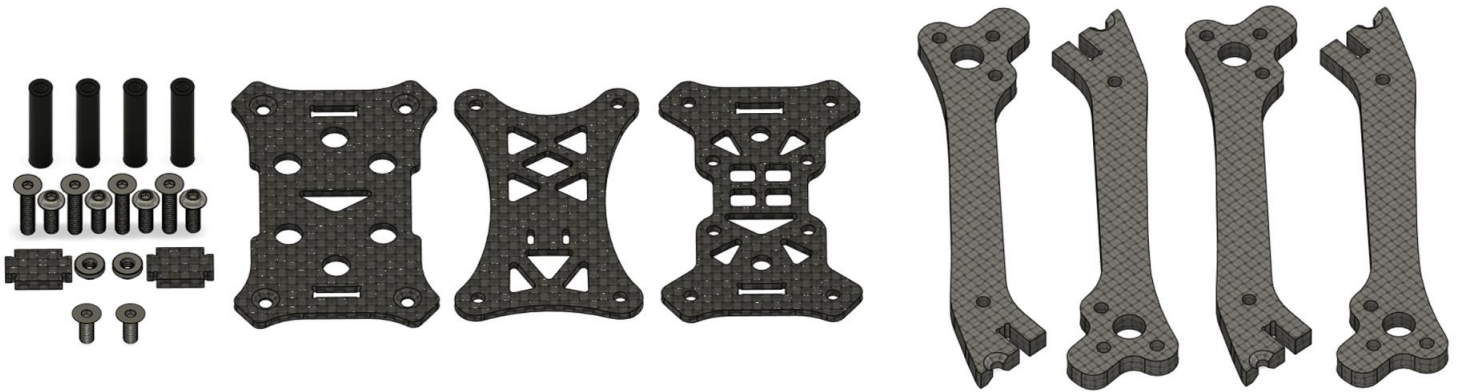


# Reflex Assembly Instructions



## Reflex Assembly Instructions



### Parts List:

- (2) Carbon fiber CLS plates (3mm)
- (1) Carbon fiber top plate (2mm)
- (1) Carbon fiber bottom plate (2mm)
- (4) Carbon fiber arms (5mm)
- (4) 25mm aluminum standoffs
- (1) TPU package (camera mount, fin, 2 VTX antenna mounts, capacitor mount, tie wrap)
- (4) M3x16mm countersunk 12.9 grade steel screws
- (4) M3x10mm 12.9 grade steel screws
- (2) M3x8mm countersunk 12.9 grade steel screws

## Reflex Assembly Instructions

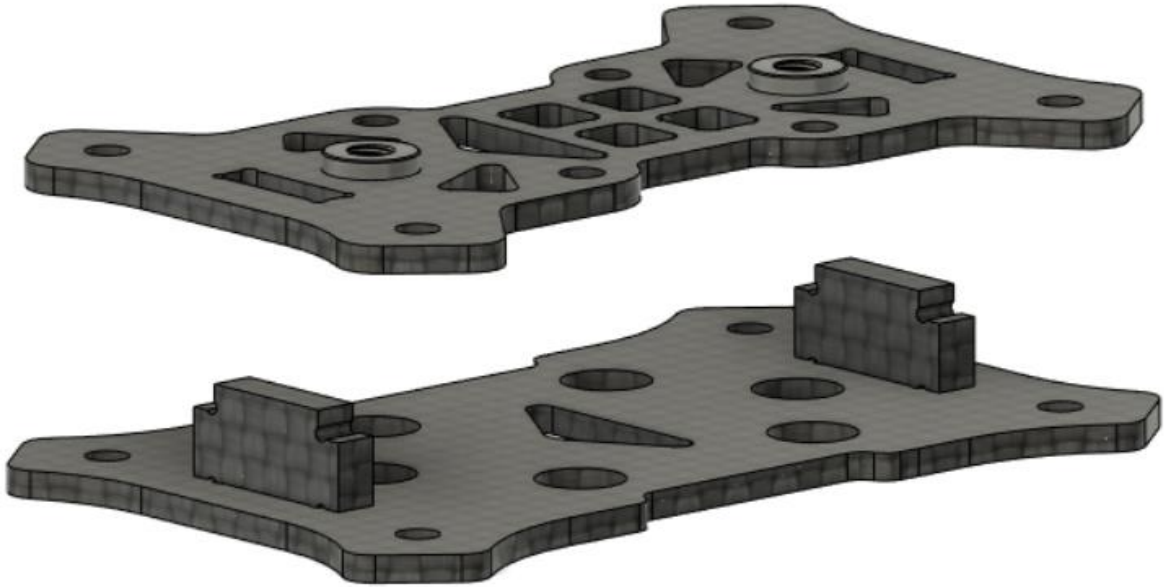
**IMPORTANT:** The triangular cutouts in the top, middle and bottom plates should all point in the same direction. These triangular cutouts point toward the FRONT of the frame.



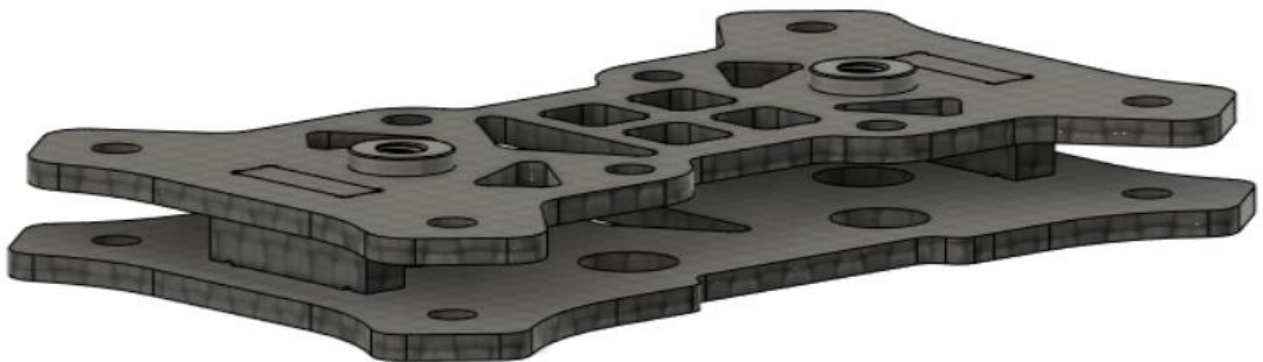
Triangle cutout designates the FRONT of the frame.

## Reflex Assembly Instructions

**Step 1:** Insert (2) carbon fiber CLS plates into the slots in the bottom plate.

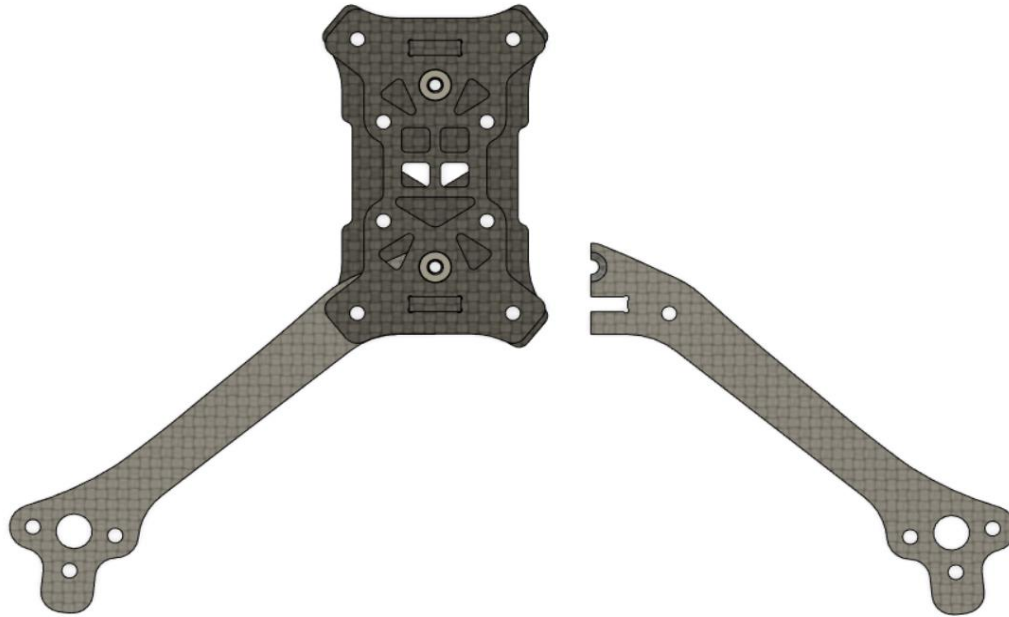


**Step 2:** Install the middle plate onto the top of the CLS plates. Make sure the triangular cutouts in the bottom plate and middle plate point in the same direction (These cutouts point to the FRONT of the frame).

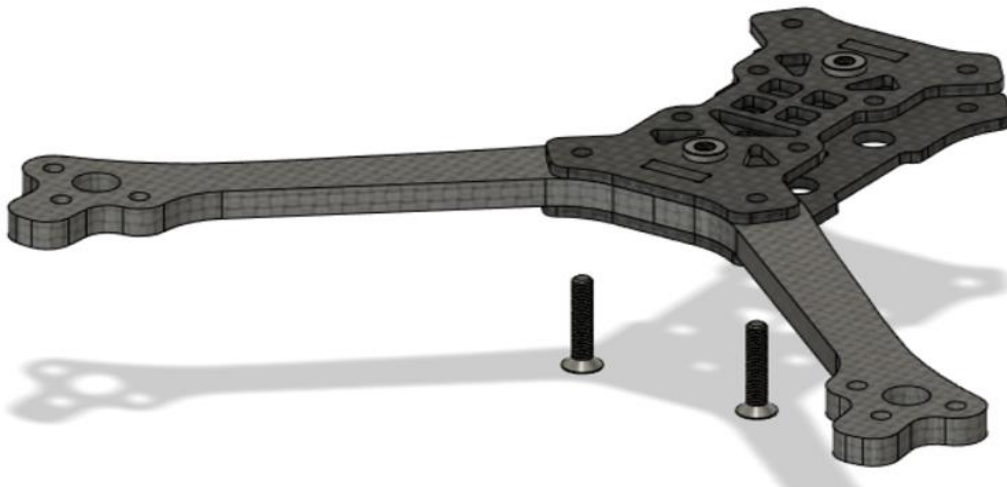


## Reflex Assembly Instructions

**Step 3:** Insert (2) arms, making sure to slide the arm slots onto the CLS plates.

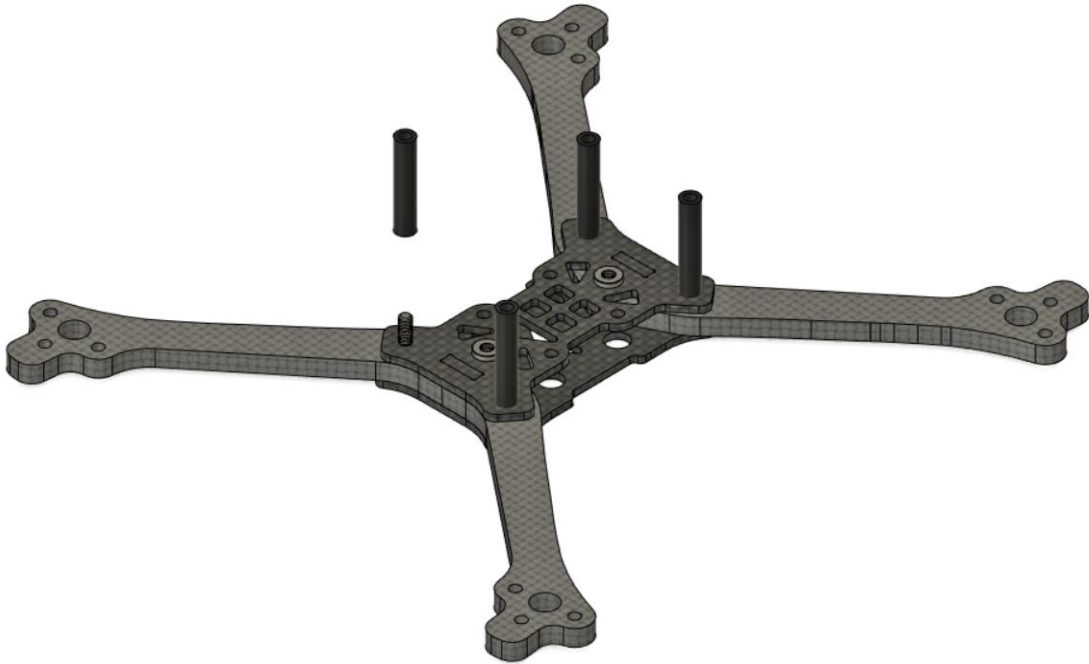


**Step 4:** Insert (2) M3x16mm countersunk screws up through the bottom plate, arms and mid plate.

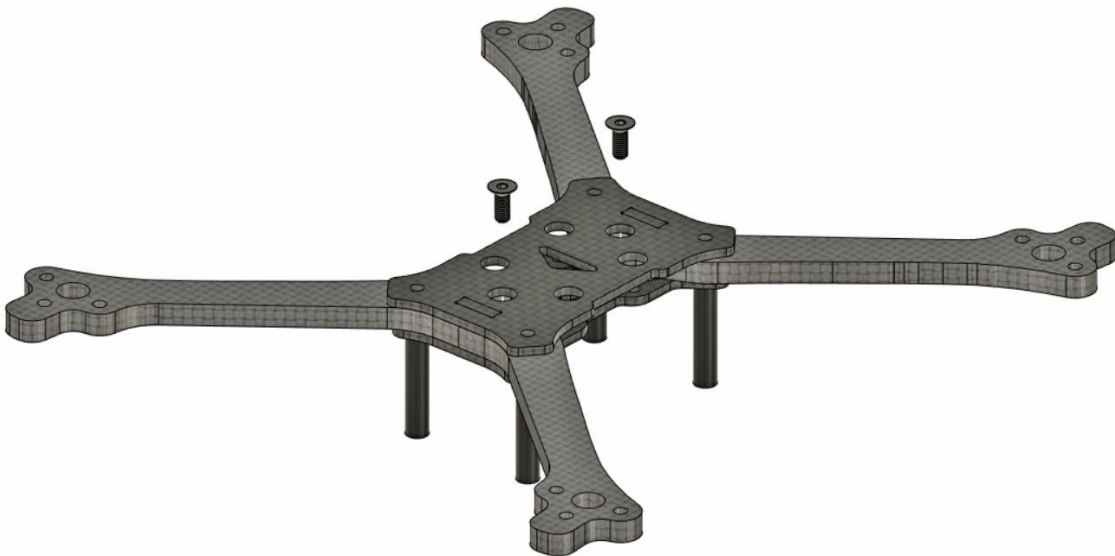


## Reflex Assembly Instructions

**Step 5:** Repeat Steps 3 and 4, using the remaining (2) arms and (2) M3x16mm countersunk screws, then screw on the (4) 25mm aluminum standoffs. It is recommended to use thread lock on the M3x16mm countersunk screws before installing the standoffs.



**Step 6:** Flip the frame over and install (2) M3x8mm countersunk screws thru the holes in the bottom plate. Tighten the screws down into the threaded pressnuts. It is recommended to use thread lock on the M3x8mm countersunk screws.



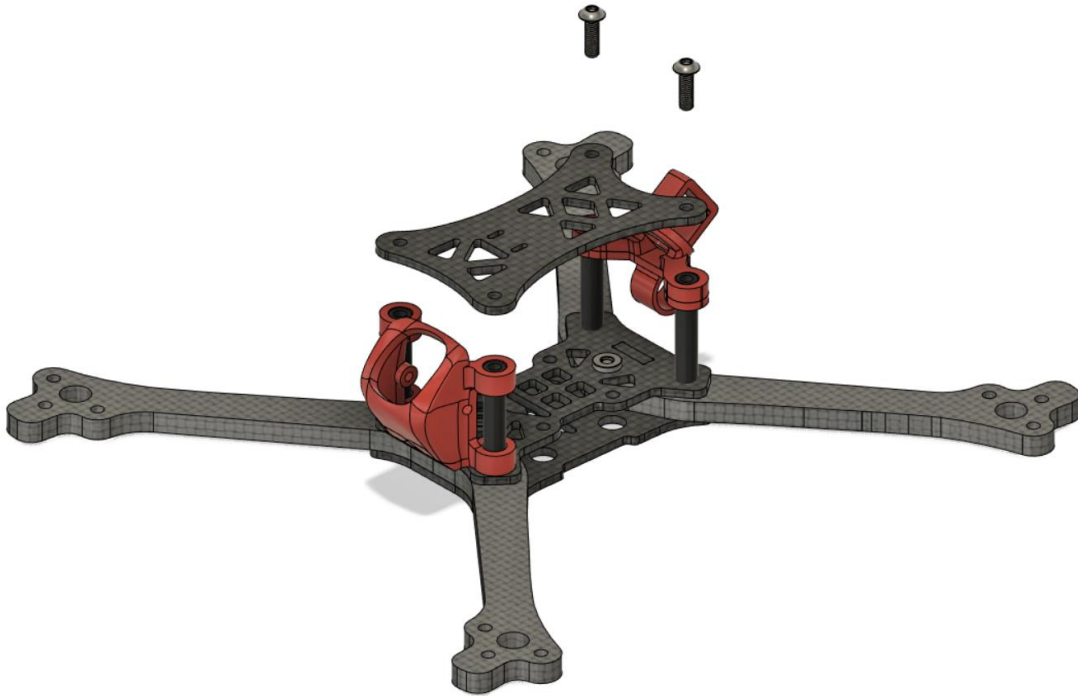
## Reflex Assembly Instructions

**Step 7:** Install the TPU Package over the four aluminum standoffs. (The triangular cutouts in the bottom plate and middle plate point toward the FRONT of the frame, so be sure to install the TPU accordingly).

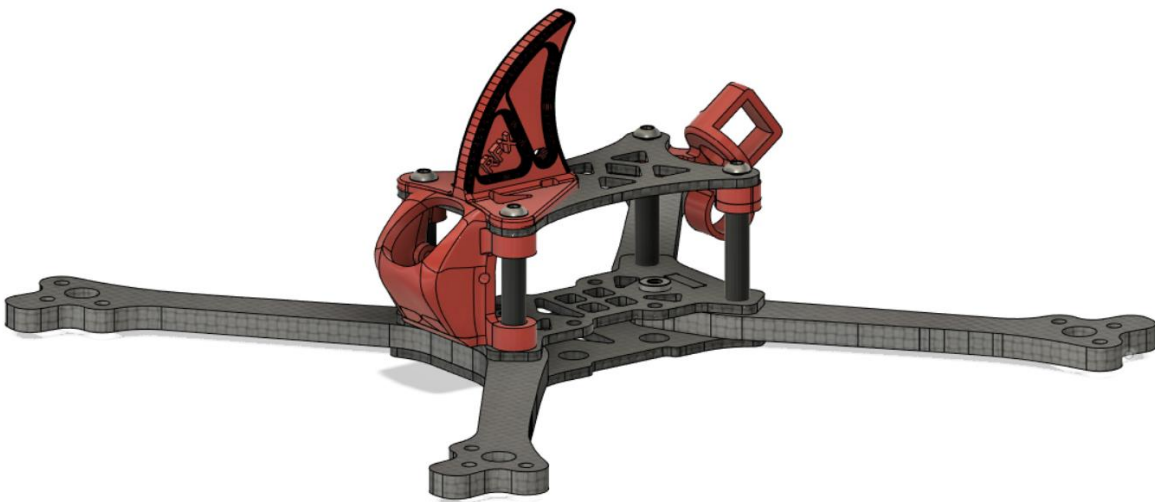


## Reflex Assembly Instructions

**Step 8:** Install the top plate. Use (2) M3x10mm screws to secure the BACK of the top plate. Make sure the triangular cutout in the top plate points to the FRONT of the frame.



**Step 9:** Use the remaining (2) M3x10mm screws to attach the TPU fin to the front standoffs. Use the tie wrap included in the TPU package to secure the back of the fin to the frame. The tie wrap goes thru the hole in the back of the fin, then thru the holes in the top plate. Tighten the tie wrap to secure the fin to the frame (not shown).





# Reflex Assembly Instructions

## Exploded View

